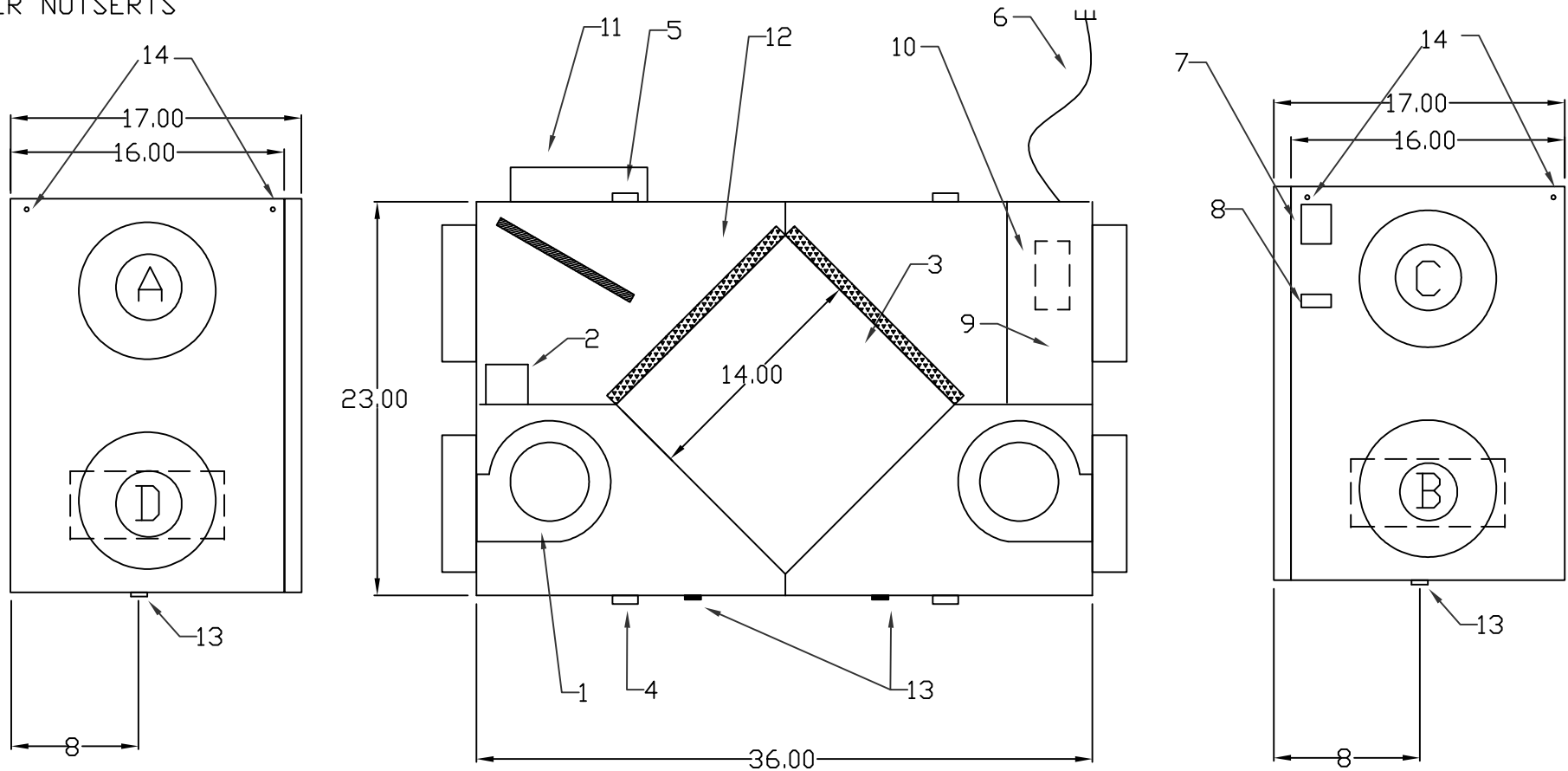


1. FORWARD CURVE DUAL INLET IMPELLER (2)
2. DEFROST SWITCH
3. CROSS FLOW CORE - POLY, ENTHALPY
4. LATCH (2)
5. HINGE (2)
6. SINGLE POINT ELECTRICAL CONNECTION
7. REMOTE CONNECTIONS
8. FURNACE INTERLOCK
9. ELECTRICAL BOX
10. OPTIONAL BUILT IN HUMIDISTAT
11. OPTIONAL DAMPER DEFROST
12. FILTERS (2)
13. 5/8" DRAINS
14. HANGER NUTSERTS

A - FROM OUTSIDE
 B - TO SPACE
 C - FROM SPACE
 D - TO OUTSIDE



REV.	DESCRIPTION	BY	DATE
2	CHANGED GROUP TO COMM	BKG	04/2005
1	REMOVED BALANCING DAMPERS	DMS	06/2004
NEW		BKG	01/2001

SCALE:
 DIMENSIONS:

CONFIDENTIAL PROPRIETARY INFORMATION
 THIS DOCUMENT CONTAINS CONFIDENTIAL INFORMATION WHICH IS THE PROPERTY OF NU-AIR VENTILATION AND SHALL NOT BE REVEALED TO OTHERS OR USED EXCEPT FOR THE PURPOSES FOR WHICH IT HAS BEEN SUPPLIED.

NU-AIR VENTILATION
 16 NELSON STREET
 WINDSOR, NOVA SCOTIA
 CANADA, B0N 2T0
 TEL: (902) 798 2261
 FAX: (902) 798 2557

TITLE: NU305 SHOP
 DRAWING
 TYPE#: 362317

DRAWING NUMBER:
 305SHOP
 GROUP:
 COMM
 SHEET 1 OF 1

